

# mode

---

Mode is a collection of door furniture that offers the Allgood quality of design and materials, with a more dynamic aesthetic





# mode

---

Mode is a more ergonomic collection of door furniture fulfilling a more creative aesthetic. The range comprises nineteen dynamic and striking designs of levers, with eight coordinated pull handles, all with the quality of material and manufacturing you would expect from Allgood.

Crafted in grade 316 stainless steel and mounted on our patented Quadaxial™ rose independently tested to a million cycles, Mode offers eye-catching style and reassuring substance; made exclusively in Britain at our own manufacturing plant, with a 25 year warranty across the range.

Allgood is the only UK architectural ironmonger with its own UK manufacturing activity. Operating from our Birmingham site, we routinely produce 100,000 pieces of hardware a year with an uncompromising attention to detail by our team of skilled craftsmen with decades of experience.

Mode is only made from grade 316 solid stainless steel, the highest quality material possible.



## Our commitment to quality

---

We passionately believe that a quality of design must be matched by a quality of performance. Therefore, we only use the finest materials and design and manufacture our ironmongery to exceed British, European, and ANSI standards. With Mode, this means a range of stunning ironmongery with low maintenance and high performance guaranteed.

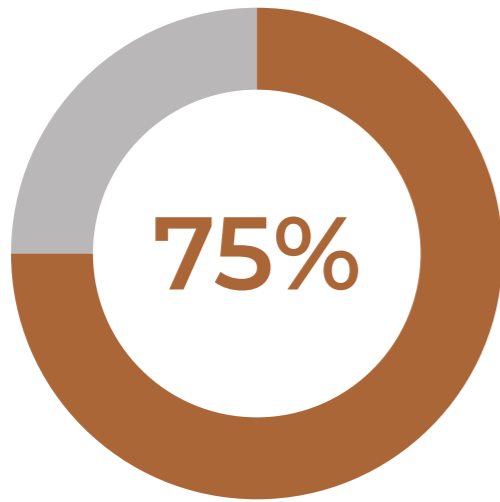


Allgood's patented Quadaxial™ rose has been independently tested to over one million cycles, far exceeding all current performance standards.

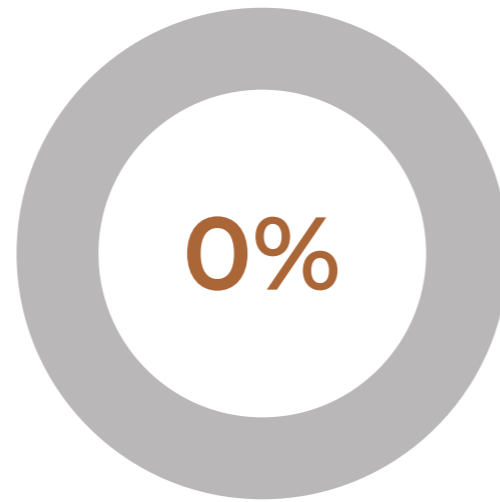
## A sustainable approach to business

Allgood is the only UK architectural ironmonger with our own, exclusive British manufacturing operation. Our site in Birmingham, UK makes 25% of what we sell, routinely producing over 100,000 products a year including all the tactile ironmongery from our principal ranges. As champions of British manufacturing, over 75% of our supply chain (by spend) is within 20 miles of our factory and logistics hub.

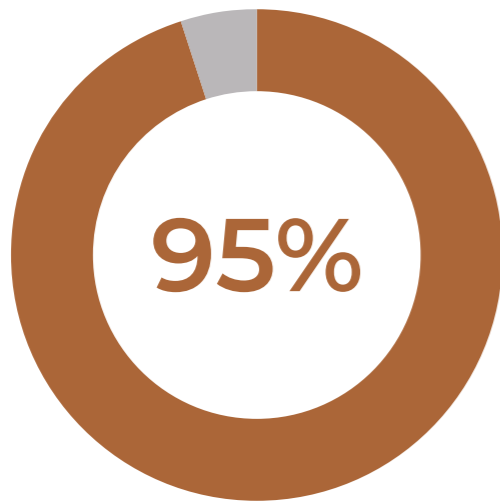
We offer our clients a single source for all their architectural ironmongery and access control requirements – one specification, a single schedule, and an individual contact for delivery.



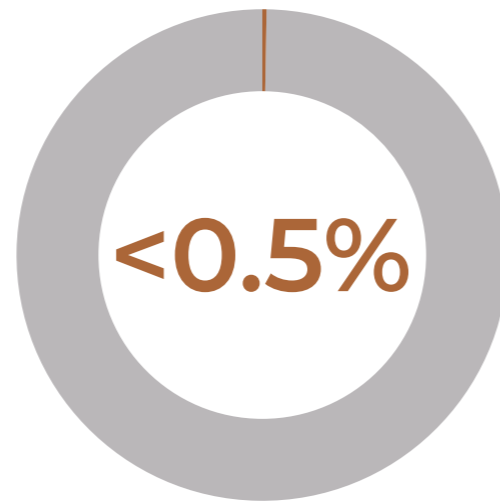
Operational energy use from renewable sources



Zero waste sent to landfill



Manufacturing material optimisation usage - remainder recycled



Rigorous quality control ensures <0.5% defect rate



**Mode Lever Handles**

---



## 4010 Mode Lever Handle

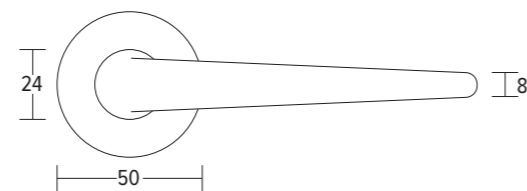
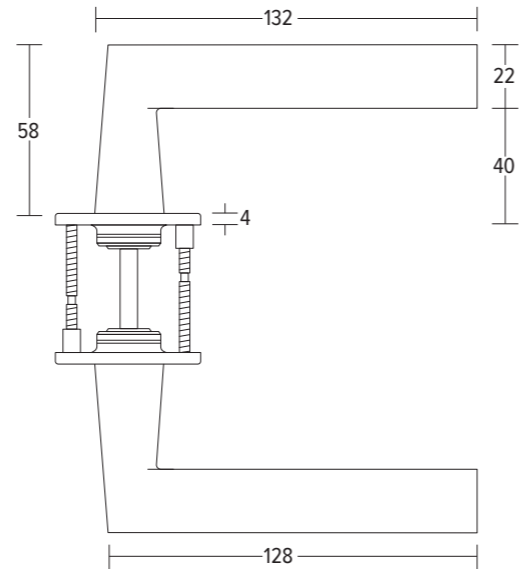
### Description

- Independently tested to BS EN 1906
- Supplied with Quadaxial concealed fixing roses (tested to 1 million cycles)
- Supplied with 8mm spindle and bolt through fixings to suit 35-54mm thick doors. *Longer spindle and fixings are available for thicker doors on request*
- Incorporated in successful fire tests and assessed to BS EN 1634-1 and BS 476 Pt 22 up to 60 minutes on timber doors and 120 minutes on metal doors
- Hand finished
- Grade 316 solid stainless steel
- 25 year mechanical warranty

### Available Finishes

#### SS & PS

Decorative finishes from our Spectra range. Comprising; Spectra Colour, Spectra Tone and Spectra Tech.\*



## 4020 Mode Lever Handle

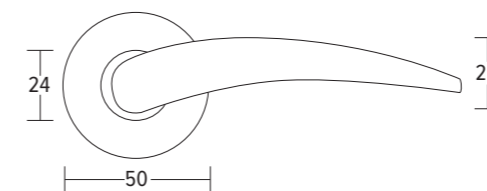
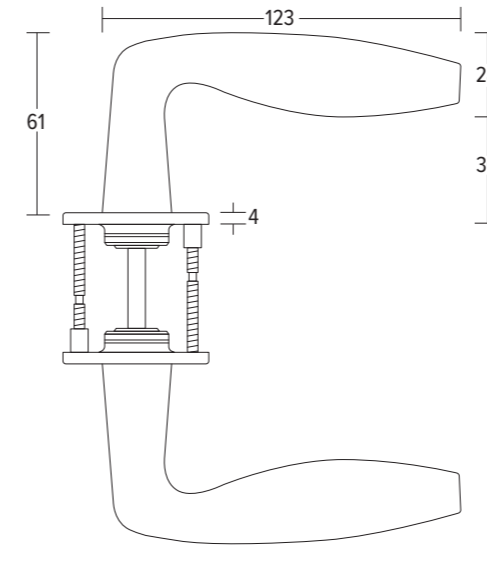
### Description

- Independently tested to BS EN 1906
- Supplied with Quadaxial concealed fixing roses (tested to 1 million cycles)
- Supplied with 8mm spindle and bolt through fixings to suit 35-54mm thick doors. *Longer spindle and fixings are available for thicker doors on request*
- Incorporated in successful fire tests and assessed to BS EN 1634-1 and BS 476 Pt 22 up to 60 minutes on timber doors and 120 minutes on metal doors
- Hand finished
- Grade 316 solid stainless steel
- 25 year mechanical warranty

### Available Finishes

#### SS & PS

Decorative finishes from our Spectra range. Comprising; Spectra Colour, Spectra Tone and Spectra Tech.\*



## 4030 Mode Lever Handle

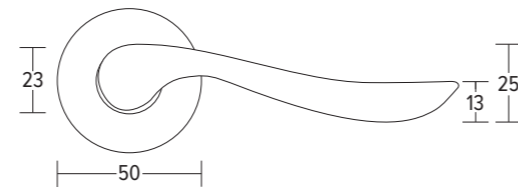
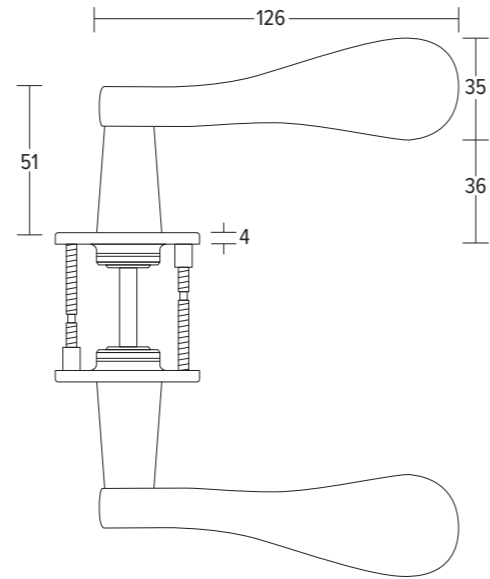
### Description

- Independently tested to BS EN 1906
- Supplied with Quadaxial concealed fixing roses (tested to 1 million cycles)
- Supplied with 8mm spindle and bolt through fixings to suit 35-54mm thick doors. *Longer spindle and fixings are available for thicker doors on request*
- Incorporated in successful fire tests and assessed to BS EN 1634-1 and BS 476 Pt 22 up to 60 minutes on timber doors and 120 minutes on metal doors
- Hand finished
- Grade 316 solid stainless steel
- 25 year mechanical warranty

### Available Finishes

#### SS & PS

Decorative finishes from our Spectra range. Comprising; Spectra Colour, Spectra Tone and Spectra Tech.\*



## 4040 Mode Lever Handle

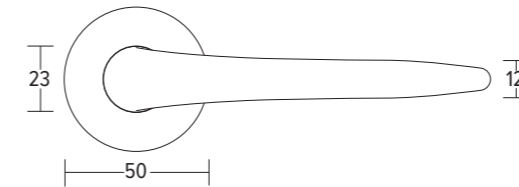
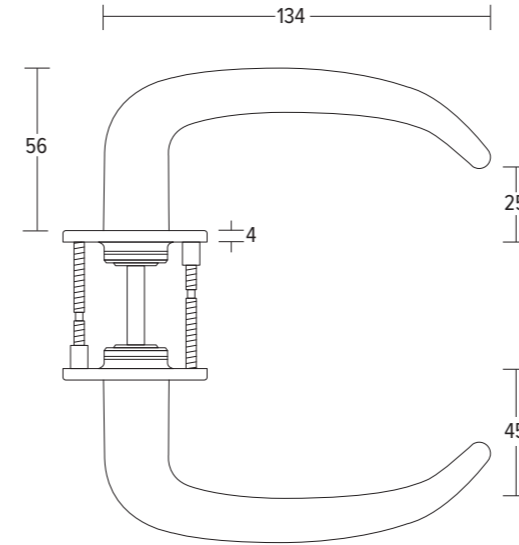
### Description

- Independently tested to BS EN 1906
- Supplied with Quadaxial concealed fixing roses (tested to 1 million cycles)
- Supplied with 8mm spindle and bolt through fixings to suit 35-54mm thick doors. *Longer spindle and fixings are available for thicker doors on request*
- Incorporated in successful fire tests and assessed to BS EN 1634-1 and BS 476 Pt 22 up to 60 minutes on timber doors and 120 minutes on metal doors
- Hand finished
- Grade 316 solid stainless steel
- 25 year mechanical warranty

### Available Finishes

#### SS & PS

Decorative finishes from our Spectra range. Comprising; Spectra Colour, Spectra Tone and Spectra Tech.\*



## 4050 Mode Lever Handle

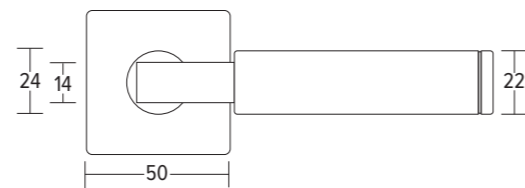
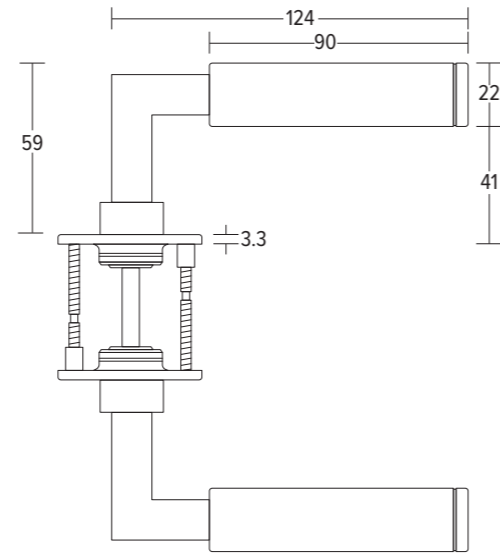
### Description

- Independently tested to BS EN 1906
- Supplied with Quadaxial concealed fixing roses (tested to 1 million cycles)
- Supplied with 8mm spindle and bolt through fixings to suit 35-54mm thick doors. *Longer spindle and fixings are available for thicker doors on request*
- Incorporated in successful fire tests and assessed to BS EN 1634-1 and BS 476 Pt 22 up to 60 minutes on timber doors and 120 minutes on metal doors
- Not suitable for Redlocks
- Hand finished
- Grade 316 solid stainless steel
- 25 year mechanical warranty

### Available Finishes

#### SS & PS

Decorative finishes from our Spectra range. Comprising; Spectra Colour, Spectra Tone and Spectra Tech.\*





## 4060 Mode Lever Handle

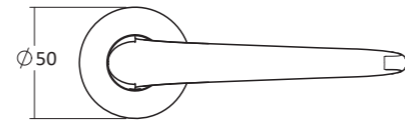
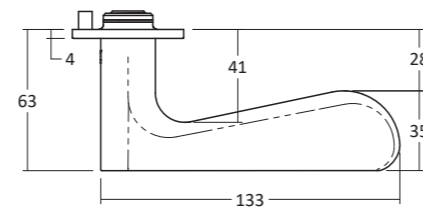
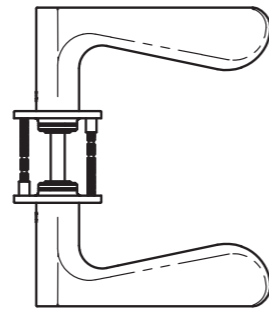
### Description

- Independently tested to BS EN 1906
- Supplied with Quadaxial concealed fixing roses (tested to 1 million cycles)
- Supplied with 8mm spindle and bolt through fixings to suit 35-54mm thick doors. *Longer spindle and fixings are available for thicker doors on request*
- Incorporated in successful fire tests and assessed to BS EN 1634-1 and BS 476 Pt 22 up to 60 minutes on timber doors and 120 minutes on metal doors
- Hand finished
- Grade 316 solid stainless steel
- 25 year mechanical warranty

### Available Finishes

#### SS PS

Decorative finishes from our Spectra range. Comprising; Spectra Colour, Spectra Tone and Spectra Tech.\*



## 4070 Mode Lever Handle

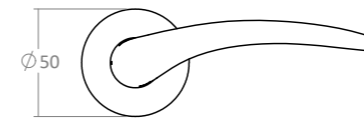
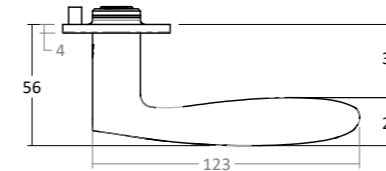
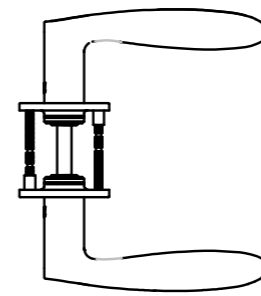
### Description

- Supplied with Quadaxial concealed fixing roses (tested to 1 million cycles)
- Supplied with 8mm spindle and bolt through fixings to suit 35-54mm thick doors. *Longer spindle and fixings are available for thicker doors on request*
- Hand finished
- Grade 316 solid stainless steel
- 25 year mechanical warranty

### Available Finishes

#### SS PS

Decorative finishes from our Spectra range. Comprising; Spectra Colour, Spectra Tone and Spectra Tech.\*



## 3520 Mode Lever Handle

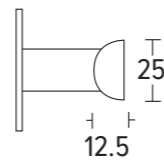
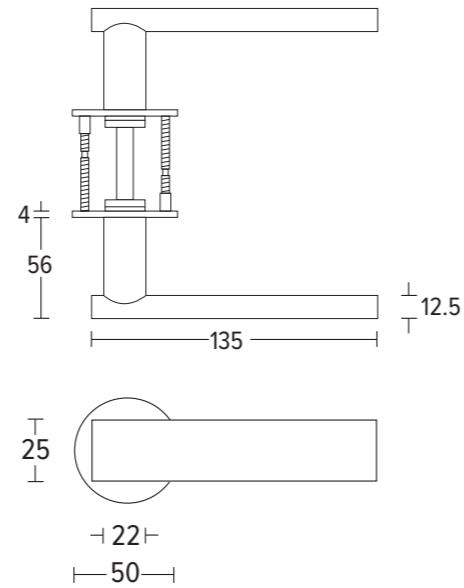
### Description

- Independently tested to BS EN 1906
- Supplied with Quadaxial concealed fixing roses (tested to 1 million cycles)
- Supplied with 8mm spindle and bolt through fixings to suit 35-54mm thick doors. *Longer spindle and fixings are available for thicker doors on request*
- Incorporated in successful fire tests and assessed to BS EN 1634-1 and BS 476 Pt 22 up to 60 minutes on timber doors and 120 minutes on metal doors
- Hand finished
- Grade 316 solid stainless steel
- 25 year mechanical warranty

### Available Finishes

#### SS & PS

Decorative finishes from our Spectra range. Comprising; Spectra Colour, Spectra Tone and Spectra Tech.\*



## 3530 Mode Lever Handle

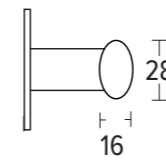
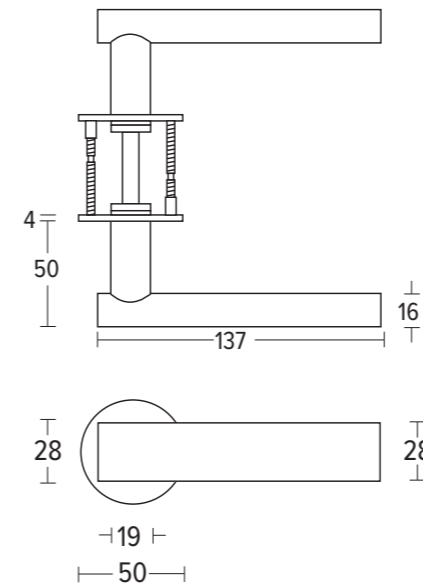
### Description

- Independently tested to BS EN 1906
- Supplied with Quadaxial concealed fixing roses (tested to 1 million cycles)
- Supplied with 8mm spindle and bolt through fixings to suit 35-54mm thick doors. *Longer spindle and fixings are available for thicker doors on request*
- Incorporated in successful fire tests and assessed to BS EN 1634-1 and BS 476 Pt 22 up to 60 minutes on timber doors and 120 minutes on metal doors
- Hand finished
- Grade 316 solid stainless steel
- 25 year mechanical warranty

### Available Finishes

#### SS & PS

Decorative finishes from our Spectra range. Comprising; Spectra Colour, Spectra Tone and Spectra Tech.\*





## 3540 Mode Lever Handle

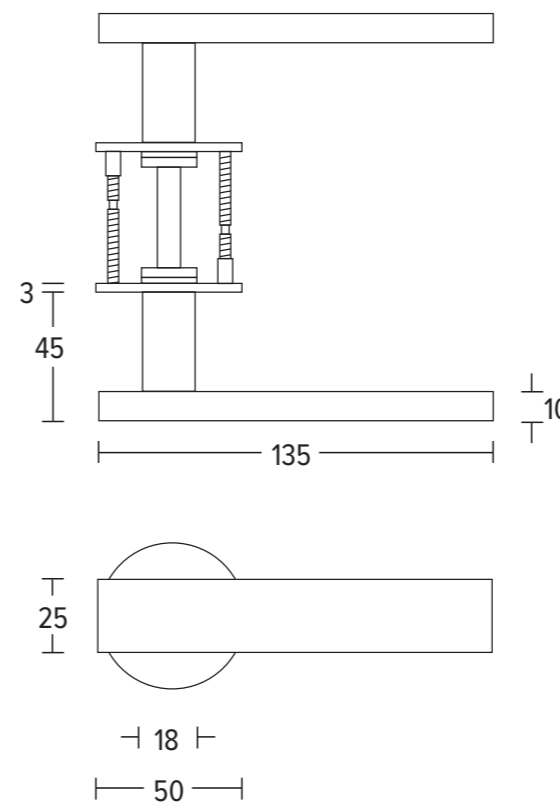
### Description

- Independently tested to BS EN 1906
- Supplied with Quadaxial concealed fixing roses (tested to 1 million cycles)
- Supplied with 8mm spindle and bolt through fixings to suit 35-54mm thick doors. *Longer spindle and fixings are available for thicker doors on request*
- Incorporated in successful fire tests and assessed to BS EN 1634-1 and BS 476 Pt 22 up to 60 minutes on timber doors and 120 minutes on metal doors
- Hand finished
- Grade 316 solid stainless steel
- 25 year mechanical warranty

### Available Finishes

#### SS & PS

Decorative finishes from our Spectra range. Comprising; Spectra Colour, Spectra Tone and Spectra Tech.\*



\*Spectra finishes are applied using powder coated colour, electrophoretic and PVD

### 3545 Mode Lever Handle

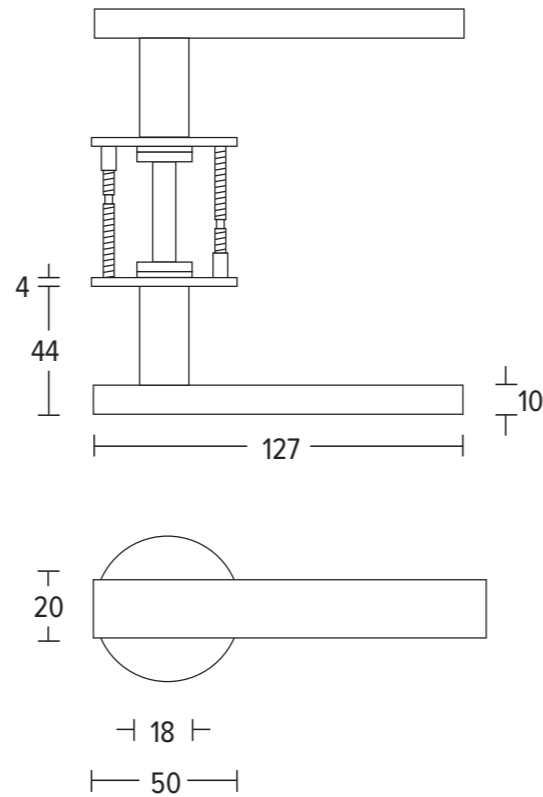
**Description**

- Independently tested to BS EN 1906
- Supplied with Quadaxial concealed fixing roses (tested to 1 million cycles)
- Supplied with 8mm spindle and bolt through fixings to suit 35-54mm thick doors. *Longer spindle and fixings are available for thicker doors on request*
- Incorporated in successful fire tests and assessed to BS EN 1634-1 and BS 476 Pt 22 up to 60 minutes on timber doors and 120 minutes on metal doors
- Hand finished
- Grade 316 solid stainless steel
- 25 year mechanical warranty

**Available Finishes**

**SS & PS**

Decorative finishes from our Spectra range. Comprising; Spectra Colour, Spectra Tone and Spectra Tech.\*



### 3550 Mode Lever Handle

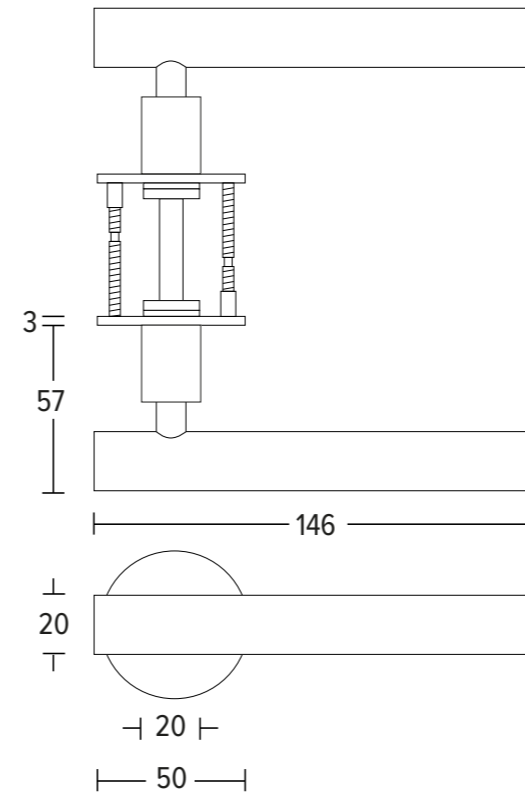
**Description**

- Independently tested to BS EN 1906
- Supplied with Quadaxial concealed fixing roses (tested to 1 million cycles)
- Supplied with 8mm spindle and bolt through fixings to suit 35-54mm thick doors. *Longer spindle and fixings are available for thicker doors on request*
- Incorporated in successful fire tests and assessed to BS EN 1634-1 and BS 476 Pt 22 up to 60 minutes on timber doors and 120 minutes on metal doors
- Hand finished
- Grade 316 solid stainless steel
- 25 year mechanical warranty

**Available Finishes**

**SS & PS**

Decorative finishes from our Spectra range. Comprising; Spectra Colour, Spectra Tone and Spectra Tech.\*



## 3560 Mode Lever Handle

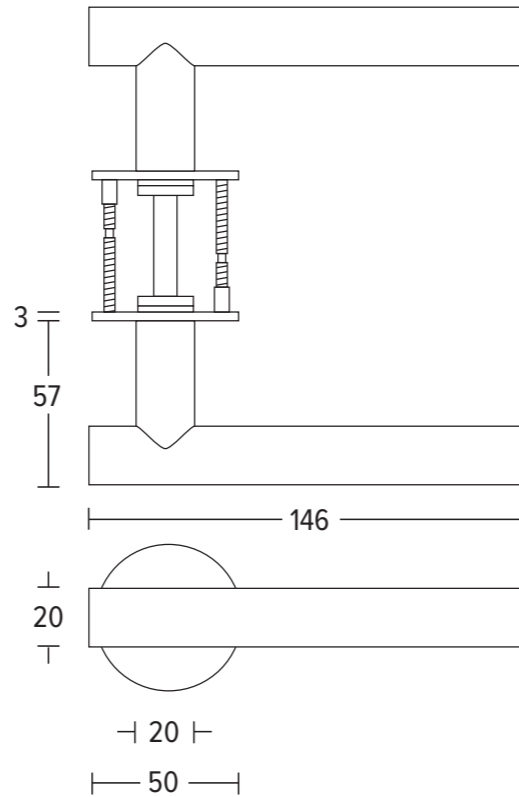
### Description

- Independently tested to BS EN 1906
- Supplied with Quadaxial concealed fixing roses (tested to 1 million cycles)
- Supplied with 8mm spindle and bolt through fixings to suit 35-54mm thick doors. *Longer spindle and fixings are available for thicker doors on request*
- Incorporated in successful fire tests and assessed to BS EN 1634-1 and BS 476 Pt 22 up to 60 minutes on timber doors and 120 minutes on metal doors
- Hand finished
- Grade 316 solid stainless steel
- 25 year mechanical warranty

### Available Finishes

#### SS & PS

Decorative finishes from our Spectra range. Comprising; Spectra Colour, Spectra Tone and Spectra Tech.\*



## 3570 Mode Lever Handle

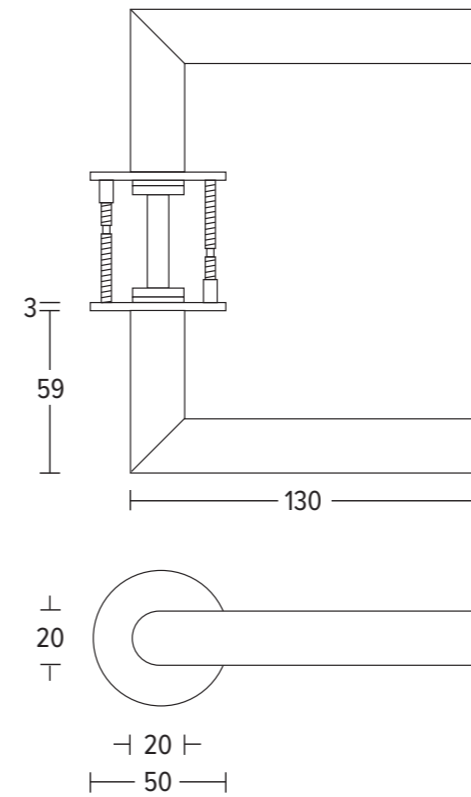
### Description

- Independently tested to BS EN 1906
- Supplied with Quadaxial concealed fixing roses (tested to 1 million cycles)
- Supplied with 8mm spindle and bolt through fixings to suit 35-54mm thick doors. *Longer spindle and fixings are available for thicker doors on request*
- Incorporated in successful fire tests and assessed to BS EN 1634-1 and BS 476 Pt 22 up to 60 minutes on timber doors and 120 minutes on metal doors
- Hand finished
- Grade 316 solid stainless steel
- 25 year mechanical warranty

### Available Finishes

#### SS & PS

Decorative finishes from our Spectra range. Comprising; Spectra Colour, Spectra Tone and Spectra Tech.\*



## 3580 Mode Lever Handle

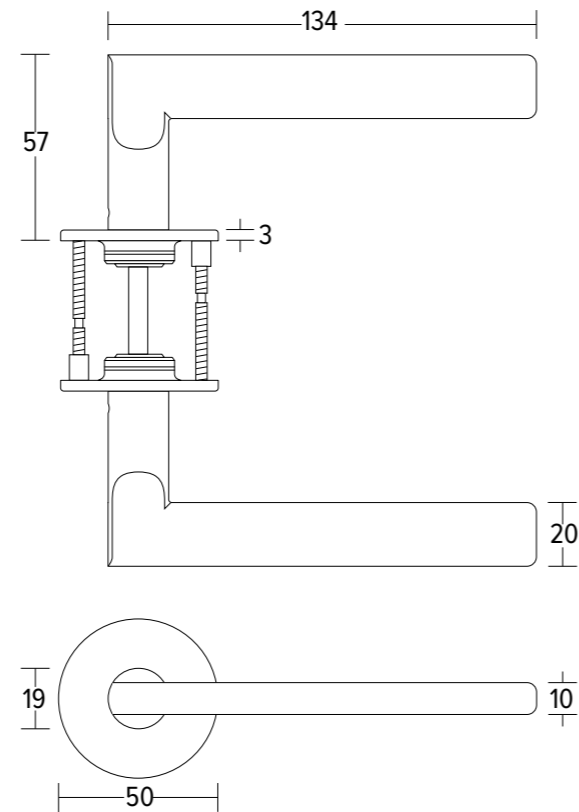
### Description

- Independently tested to BS EN 1906
- Supplied with Quadaxial concealed fixing roses (tested to 1 million cycles)
- Supplied with 8mm spindle and bolt through fixings to suit 35-54mm thick doors. *Longer spindle and fixings are available for thicker doors on request*
- Incorporated in successful fire tests and assessed to BS EN 1634-1 and BS 476 Pt 22 up to 60 minutes on timber doors and 120 minutes on metal doors
- Hand finished
- Grade 316 solid stainless steel
- 25 year mechanical warranty

### Available Finishes

#### SS & PS

Decorative finishes from our Spectra range. Comprising; Spectra Colour, Spectra Tone and Spectra Tech.\*



## 3599 Mode Lever Handle

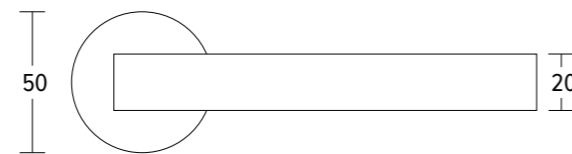
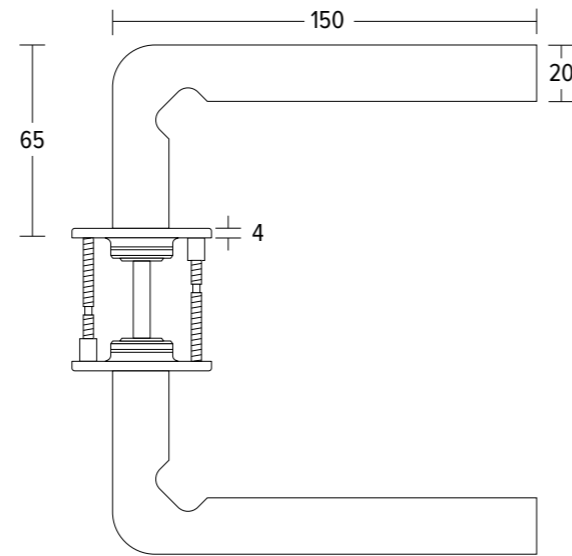
### Description

- Independently tested to BS EN 1906
- Supplied with Quadaxial concealed fixing roses (tested to 1 million cycles)
- Supplied with 8mm spindle and bolt through fixings to suit 35-54mm thick doors. *Longer spindle and fixings are available for thicker doors on request*
- Incorporated in successful fire tests and assessed to BS EN 1634-1 and BS 476 Pt 22 up to 60 minutes on timber doors and 120 minutes on metal doors
- Hand finished
- Grade 316 solid stainless steel
- 25 year mechanical warranty

### Available Finishes

#### SS & PS

Decorative finishes from our Spectra range. Comprising; Spectra Colour, Spectra Tone and Spectra Tech.\*



## 3720 Mode Lever Handle

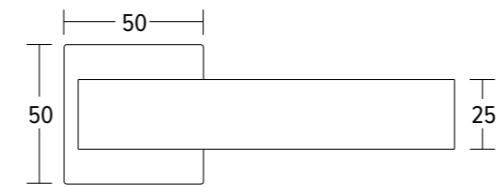
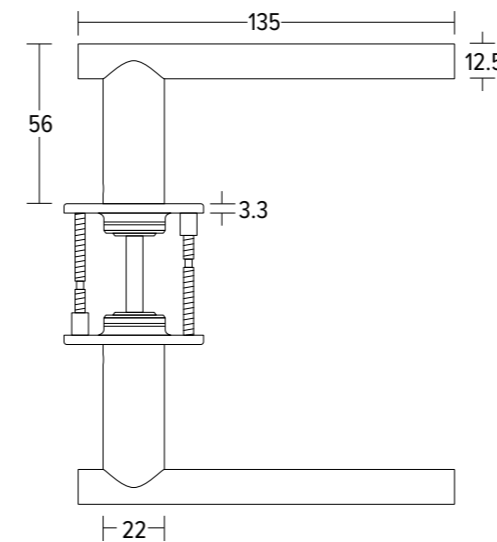
### Description

- Independently tested to BS EN 1906
- Supplied with Quadaxial concealed fixing square roses (tested to 1 million cycles)
- Supplied with 8mm spindle and bolt through fixings to suit 35-54mm thick doors. *Longer spindle and fixings are available for thicker doors on request*
- Incorporated in successful fire tests and assessed to BS EN 1634-1 and BS 476 Pt 22 up to 60 minutes on timber doors and 120 minutes on metal doors
- Not suitable for Redlocks
- Hand finished
- Grade 316 solid stainless steel
- 25 year mechanical warranty

### Available Finishes

#### SS & PS

Decorative finishes from our Spectra range. Comprising; Spectra Colour, Spectra Tone and Spectra Tech.\*



## 3740 Mode Lever Handle

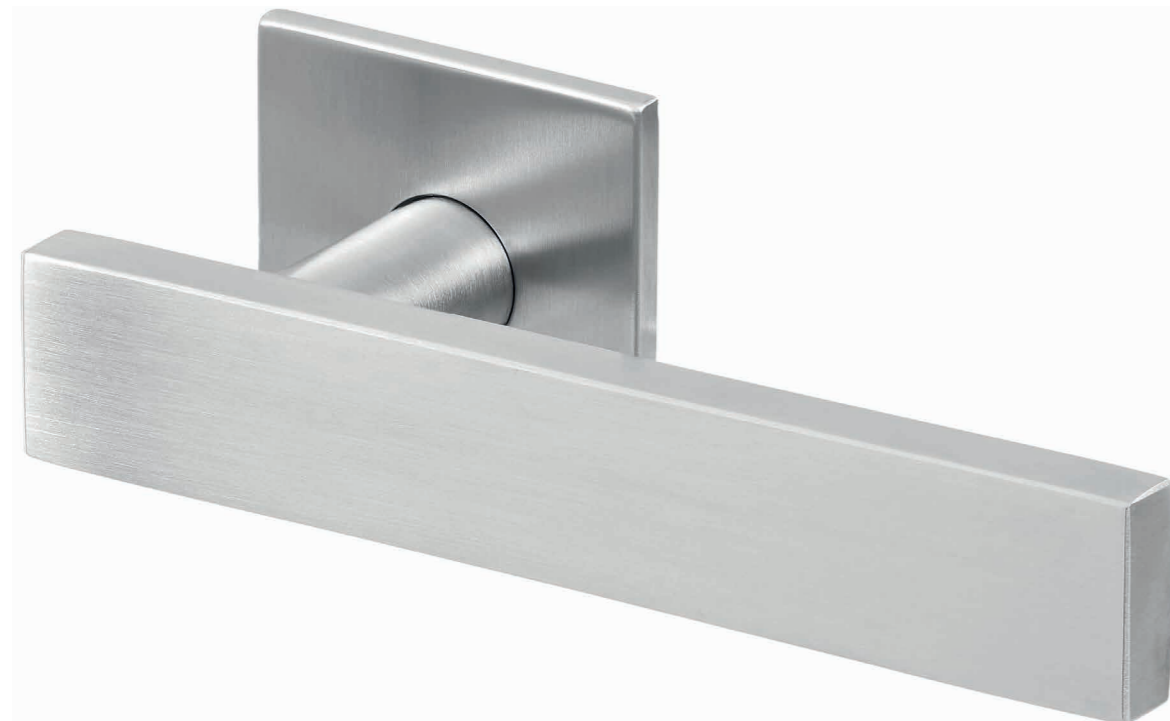
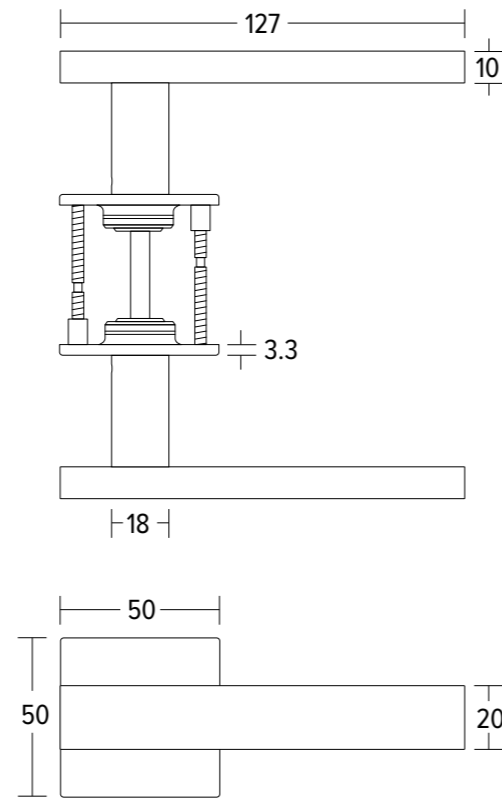
### Description

- Independently tested to BS EN 1906
- Supplied with Quadaxial concealed fixing square roses (tested to 1 million cycles)
- Supplied with 8mm spindle and bolt through fixings to suit 35-54mm thick doors. *Longer spindle and fixings are available for thicker doors on request*
- Incorporated in successful fire tests and assessed to BS EN 1634-1 and BS 476 Pt 22 up to 60 minutes on timber doors and 120 minutes on metal doors
- Not suitable for Redlocks
- Hand finished
- Grade 316 solid stainless steel
- 25 year mechanical warranty

### Available Finishes

#### SS & PS

Decorative finishes from our Spectra range. Comprising; Spectra Colour, Spectra Tone and Spectra Tech.\*



## 3745 Mode Lever Handle

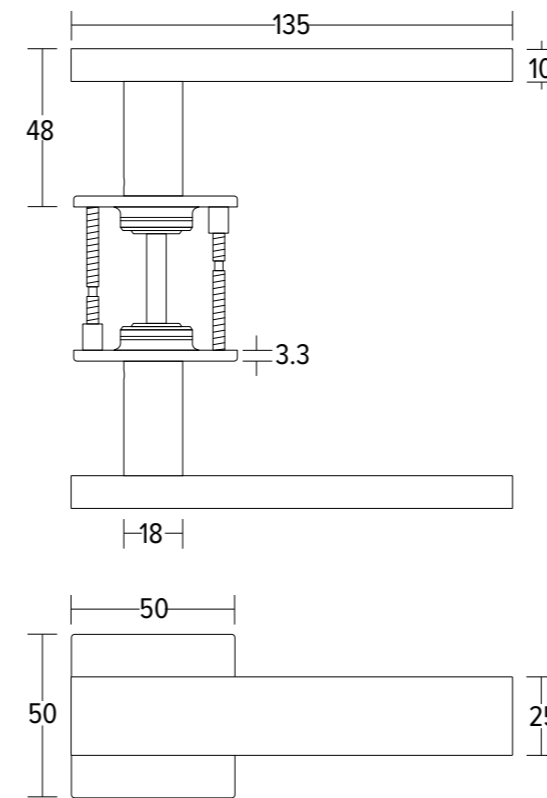
### Description

- Independently tested to BS EN 1906
- Supplied with Quadaxial concealed fixing square roses (tested to 1 million cycles)
- Supplied with 8mm spindle and bolt through fixings to suit 35-54mm thick doors. *Longer spindle and fixings are available for thicker doors on request*
- Incorporated in successful fire tests and assessed to BS EN 1634-1 and BS 476 Pt 22 up to 60 minutes on timber doors and 120 minutes on metal doors
- Not suitable for Redlocks
- Hand finished
- Grade 316 solid stainless steel
- 25 year mechanical warranty

### Available Finishes

#### SS & PS

Decorative finishes from our Spectra range. Comprising; Spectra Colour, Spectra Tone and Spectra Tech.\*







mode

**Mode Pull Handles**

---

## 1680 Mode Pull Handle

### Description

- 400mm fixing centres
- Hand finished
- Grade 316 solid stainless steel
- 25 year manufacturing warranty
- Fixings supplied for doors up to 54mm
  - Bolt Through fixed order code 1680
  - Concealed Face fixed order code 1680SFF
  - Back to Back (pair) order code 1680BB
- For doors exceeding 54mm use M8 extension bolt (not included) order additional code XX6750E8
- For back to back fixing pack to suit glass doors (not included) order additional code SP0017

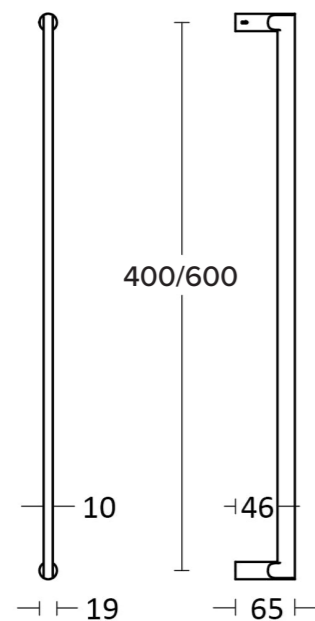
### Available Sizes

400mm / 600mm

### Available Finishes

#### SS & PS

Decorative finishes from our Spectra range. Comprising; Spectra Colour, Spectra Tone and Spectra Tech.\*



## 1720 Mode Pull Handle

### Description

- 400mm fixing centres
- Half Moon Shaped Grip
- Hand finished
- Incorporated in successful fire tests and assessed to BS EN 1634-1 and BS 476 Pt 22 up to 60 minutes on timber doors and 120 minutes on metal fire doors
- Grade 316 solid stainless steel
- 25 year manufacturing warranty
- Fixings supplied for doors up to 54mm
  - Bolt Through fixed order code 1720
  - Back to Back (pair) order code 1720BB
- For doors exceeding 54mm use M8 extension bolt (not included) order additional code XX6750E8
- For back to back fixing pack to suit glass doors (not included) order additional code SP0018

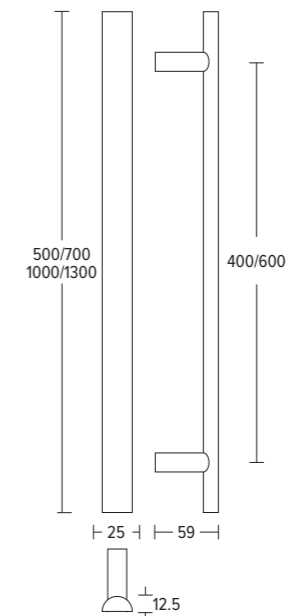
### Available Sizes

400mm / 600mm

### Available Finishes

#### SS & PS

Decorative finishes from our Spectra range. Comprising; Spectra Colour, Spectra Tone and Spectra Tech.\*



## 1730 Mode Pull Handle

### Description

- 400mm fixing centres
- Oval Shaped Grip
- Hand finished
- Incorporated in successful fire tests and assessed to BS EN 1634-1 and BS 476 Pt 22 up to 60 minutes on timber doors and 120 minutes on metal fire doors
- Grade 316 solid stainless steel
- 25 year manufacturing warranty
- Fixings supplied for doors up to 54mm
  - Bolt Through fixed order code 1730
  - Back to Back (pair) order code 1730BB
- For doors exceeding 54mm use M8 extension bolt (not included) order additional code XX6750E8
- For back to back fixing pack to suit glass doors (not included) order additional code SP0018

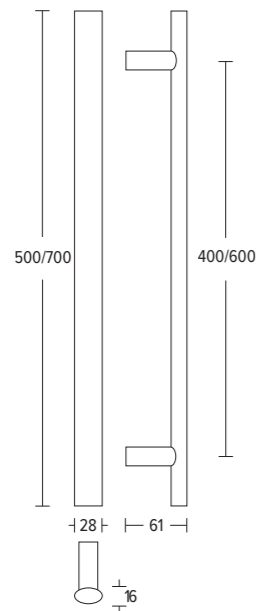
### Available Sizes

**400mm / 600mm**

### Available Finishes

#### SS & PS

Decorative finishes from our Spectra range. Comprising; Spectra Colour, Spectra Tone and Spectra Tech.\*



## 1740 Mode Pull Handle

### Description

- 400mm fixing centres
- 25mm x 10mm Flat Bar Grip
- Hand finished
- Incorporated in successful fire tests and assessed to BS EN 1634-1 and BS 476 Pt 22 up to 60 minutes on timber doors and 120 minutes on metal fire doors
- Grade 316 solid stainless steel
- 25 year manufacturing warranty
- Fixings supplied for doors up to 54mm
  - Bolt Through fixed order code 1740
  - Back to Back (pair) order code 1740BB
- For doors exceeding 54mm use M8 extension bolt (not included) order additional code XX6750E8
- For back to back fixing pack to suit glass doors (not included) order additional code SP0018

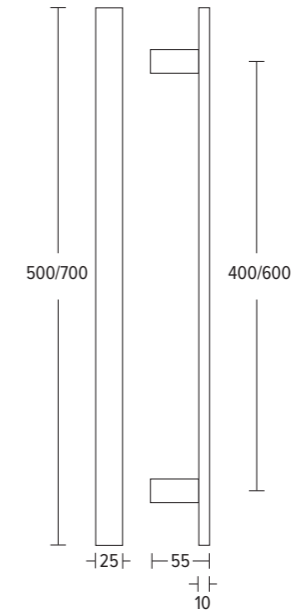
### Available Sizes

**400mm / 600mm**

### Available Finishes

#### SS & PS

Decorative finishes from our Spectra range. Comprising; Spectra Colour, Spectra Tone and Spectra Tech.\*





## 1745 Mode Pull Handle

### Description

- 400mm fixing centres
- 20mm x 10mm Flat Bar Grip
- Hand finished
- Incorporated in successful fire tests and assessed to BS EN 1634-1 and BS 476 Pt 22 up to 60 minutes on timber doors and 120 minutes on metal fire doors
- Grade 316 solid stainless steel
- 25 year manufacturing warranty
- Fixings supplied for doors up to 54mm
  - Bolt Through fixed order code 1745
  - Back to Back (pair) order code 1745BB
- For doors exceeding 54mm use M8 extension bolt (not included) order additional code XX6750E8
- For back to back fixing pack to suit glass doors (not included) order additional code SP0017

### Available Sizes

**400mm / 600mm**

### Available Finishes

#### SS & PS

Decorative finishes from our Spectra range. Comprising; Spectra Colour, Spectra Tone and Spectra Tech.\*



## 1750 Mode Pull Handle

### Description

- 400mm fixing centres
- Hand finished
- Incorporated in successful fire tests and assessed to BS EN 1634-1 and BS 476 Pt 22 up to 60 minutes on timber doors and 120 minutes on metal fire doors
- Grade 316 solid stainless steel
- 25 year manufacturing warranty
- Fixings supplied for doors up to 54mm
  - Bolt Through fixed order code 1750
  - Back to Back (pair) order code 1750BB
- For doors exceeding 54mm use M8 extension bolt (not included) order additional code XX6750E8
- For back to back fixing pack to suit glass doors (not included) order additional code SP0017

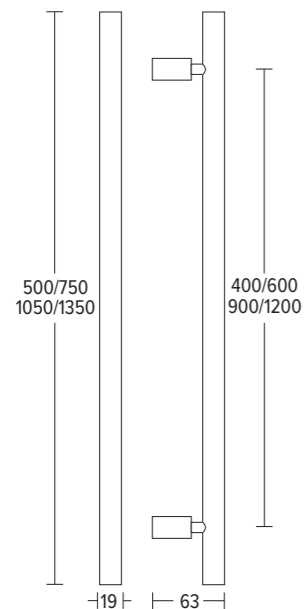
### Available Sizes

400mm / 600mm / 900mm / 1200mm

### Available Finishes

#### SS & PS

Decorative finishes from our Spectra range. Comprising; Spectra Colour, Spectra Tone and Spectra Tech.\*



## 1760 Mode Pull Handle

### Description

- 400mm fixing centres
- Hand finished
- Incorporated in successful fire tests and assessed to BS EN 1634-1 and BS 476 Pt 22 up to 60 minutes on timber doors and 120 minutes on metal fire doors
- Grade 316 solid stainless steel
- 25 year manufacturing warranty
- Fixings supplied for doors up to 54mm
  - Bolt Through fixed order code 1760
  - Back to Back (pair) order code 1760BB
- For doors exceeding 54mm use M8 extension bolt (not included) order additional code XX6750E8
- For back to back fixing pack to suit glass doors (not included) order additional code SP0017

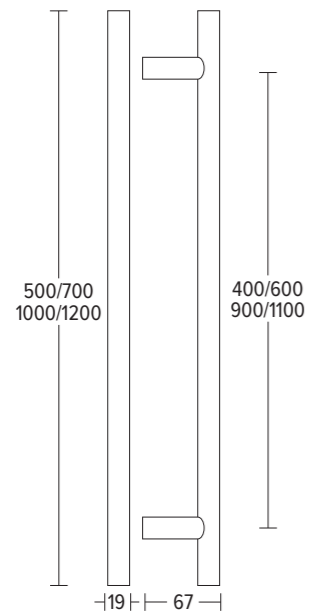
### Available Sizes

400mm / 600mm / 900mm / 1100mm

### Available Finishes

#### SS & PS

Decorative finishes from our Spectra range. Comprising; Spectra Colour, Spectra Tone and Spectra Tech.\*



## 1770 Mode Pull Handle

### Description

- 400mm fixing centres
- Hand finished
- Incorporated in successful fire tests and assessed to BS EN 1634-1 and BS 476 Pt 22 up to 60 minutes on timber doors and 120 minutes on metal fire doors
- Grade 316 solid stainless steel
- 25 year manufacturing warranty
- Fixings supplied for doors up to 54mm
  - Bolt Through fixed order code 1770
  - Back to Back (pair) order code 1770BB
- For doors exceeding 54mm use M8 extension bolt (not included) order additional code XX6750E8
- For back to back fixing pack to suit glass doors (not included) order additional code SP0017

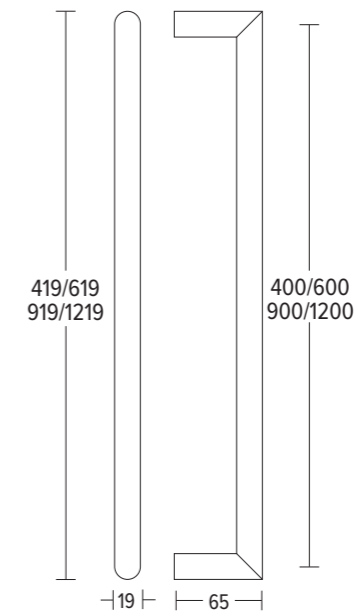
### Available Sizes

400mm / 600mm / 900mm / 1200mm

### Available Finishes

#### SS & PS

Decorative finishes from our Spectra range. Comprising; Spectra Colour, Spectra Tone and Spectra Tech.\*



Mode WC Turns & Indicators

---



## 771Q2529 Mode WC Turn and Emergency Release Indicator Set

### Description

- Ø50mm x 4mm
- Concealed fixings to suit doors 32mm to 55mm thickness
- Incorporated in successful fire tests and assessed to BS EN 1634-1 and BS 476 Pt 22 for use up to 60 minute timber fire doors
- Suitable for 5mm and 8mm lock followers
- Grade 316 stainless steel
- Hand finished
- 25 year manufacturing warranty

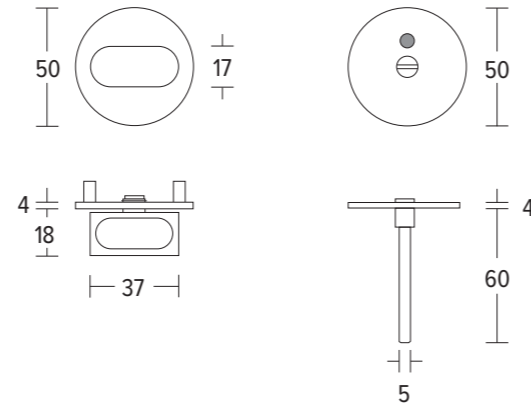
### Also Available

**771Q2529NI** Mode WC Turn and Emergency Release Set without Indicator

### Available Finishes

#### SS & PS

Decorative finishes from our Spectra range. Comprising; Spectra Colour, Spectra Tone and Spectra Tech.\*



## 771Q2530 Mode Disabled WC Turn and Emergency Release Indicator Set

### Description

- Ø50mm x 4mm
- Concealed fixings to suit doors 32mm to 55mm thickness
- Incorporated in successful fire tests and assessed to BS EN 1634-1 and BS 476 Pt 22 for use up to 60 minute timber fire doors
- Suitable for 5mm and 8mm lock followers
- Grade 316 stainless steel
- Hand finished
- 25 year manufacturing warranty

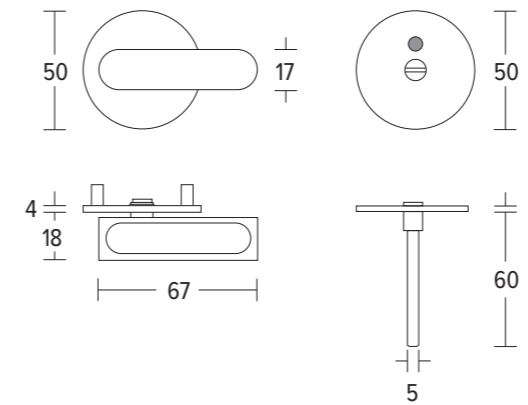
### Also Available

**771Q2530NI** Mode Disabled WC Turn and Emergency Release Set without Indicator

### Available Finishes

#### SS & PS

Decorative finishes from our Spectra range. Comprising; Spectra Colour, Spectra Tone and Spectra Tech.\*





## 771/2579 Mode WC Turn and Emergency Release Indicator Set

### Description

- 50mm x 50mm Square Rose
- Concealed fixings to suit doors 32mm to 55mm thickness
- Incorporated in successful fire tests and assessed to BS EN 1634-1 and BS 476 Pt 22 for use up to 60 minute timber fire doors
- Suitable for 5mm and 8mm lock followers
- Grade 316 stainless steel
- Hand finished
- 25 year manufacturing warranty

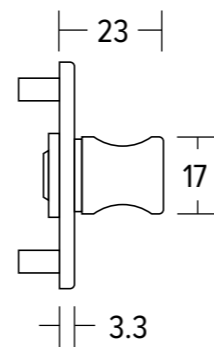
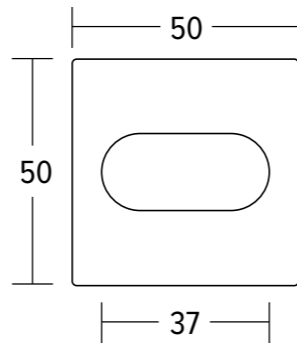
### Also Available

**771/2579NI** Mode WC Turn and Emergency Release Set without Indicator

### Available Finishes

#### SS & PS

Decorative finishes from our Spectra range. Comprising; Spectra Colour, Spectra Tone and Spectra Tech.\*



## 771/2570 Mode Disabled WC Turn and Emergency Release Indicator Set

### Description

- 50mm x 50mm Square Rose
- Concealed fixings to suit doors 32mm to 55mm thickness
- Incorporated in successful fire tests and assessed to BS EN 1634-1 and BS 476 Pt 22 for use up to 60 minute timber fire doors
- Suitable for 5mm and 8mm lock followers
- Grade 316 stainless steel
- Hand finished
- 25 year manufacturing warranty

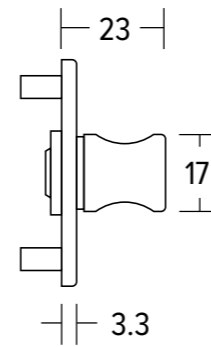
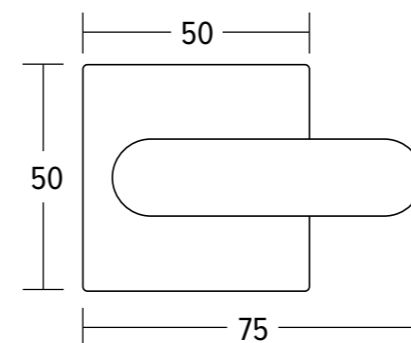
### Also Available

**771/2570NI** Mode Disabled WC Turn and Emergency Release Set without Indicator

### Available Finishes

#### SS & PS

Decorative finishes from our Spectra range. Comprising; Spectra Colour, Spectra Tone and Spectra Tech.\*



**Mode Escutcheons**

---



## 796Q Mode Circular Euro Profile Cylinder Escutcheon

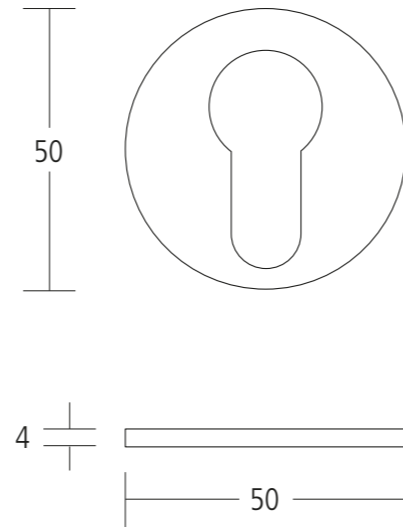
### Description

- Ø50mm x 4mm
- Supplied with concealed face fixings
- Incorporated in successful fire tests and assessed to BS EN 1634-1 and BS 476 Pt 22 for use up to 60 minute timber fire doors
- Grade 316 stainless steel
- Hand finished
- 25 year warranty

### Available Finishes

#### SS & PS

Decorative finishes from our Spectra range. Comprising; Spectra Colour, Spectra Tone and Spectra Tech.\*



## 797 Mode Square Euro Profile Cylinder Escutcheon

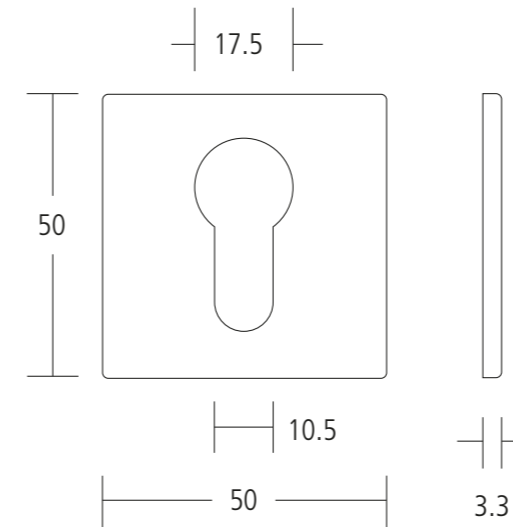
### Description

- 50mm x 50mm x 3.3mm
- Supplied with concealed face fixings
- Incorporated in successful fire tests and assessed to BS EN 1634-1 and BS 476 Pt 22 for use up to 60 minute timber fire doors
- Hand finished
- Grade 316 stainless steel
- 25 year mechanical warranty

### Available Finishes

#### SS & PS

Decorative finishes from our Spectra range. Comprising; Spectra Colour, Spectra Tone and Spectra Tech.\*





## Spectra

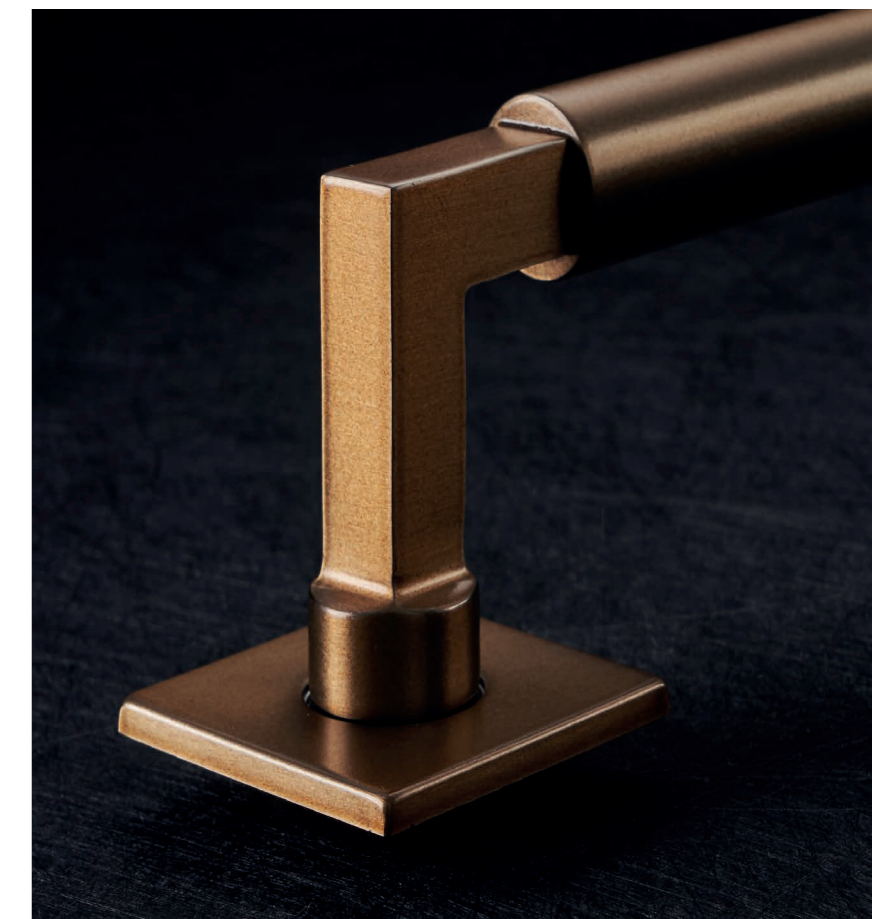
---

Every element of Mode is available in a kaleidoscope of decorative finishes from our Spectra range. Comprising; Spectra Colour, Spectra Tone and Spectra Tech, this comprehensive finishes solution can match and complement any desired aesthetic, and all come with our warranties.

Spectra Colour is our powder coating process, available in any RAL colour such as blacks (RAL 9005, 9004) and is suitable for internal and external application.

Spectra Tone applies a simulated metal finish through an electrophoretic process for those projects where satin brass, gold or bronze is required. We have custom Spectra Tone options where a further translucent coating is added to create our distinctive BF.

Spectra Tech is our premium PVD vacuum coating process that results in a superior decorative finish in a range of metallic colours, both satin and polished. A hard-wearing, scratch resistant solution, with excellent durability.





Available from :

**modric** Inc.

National Headquarters North America  
Boulder  
Colorado CO 80302

E: [support@modric.net](mailto:support@modric.net)